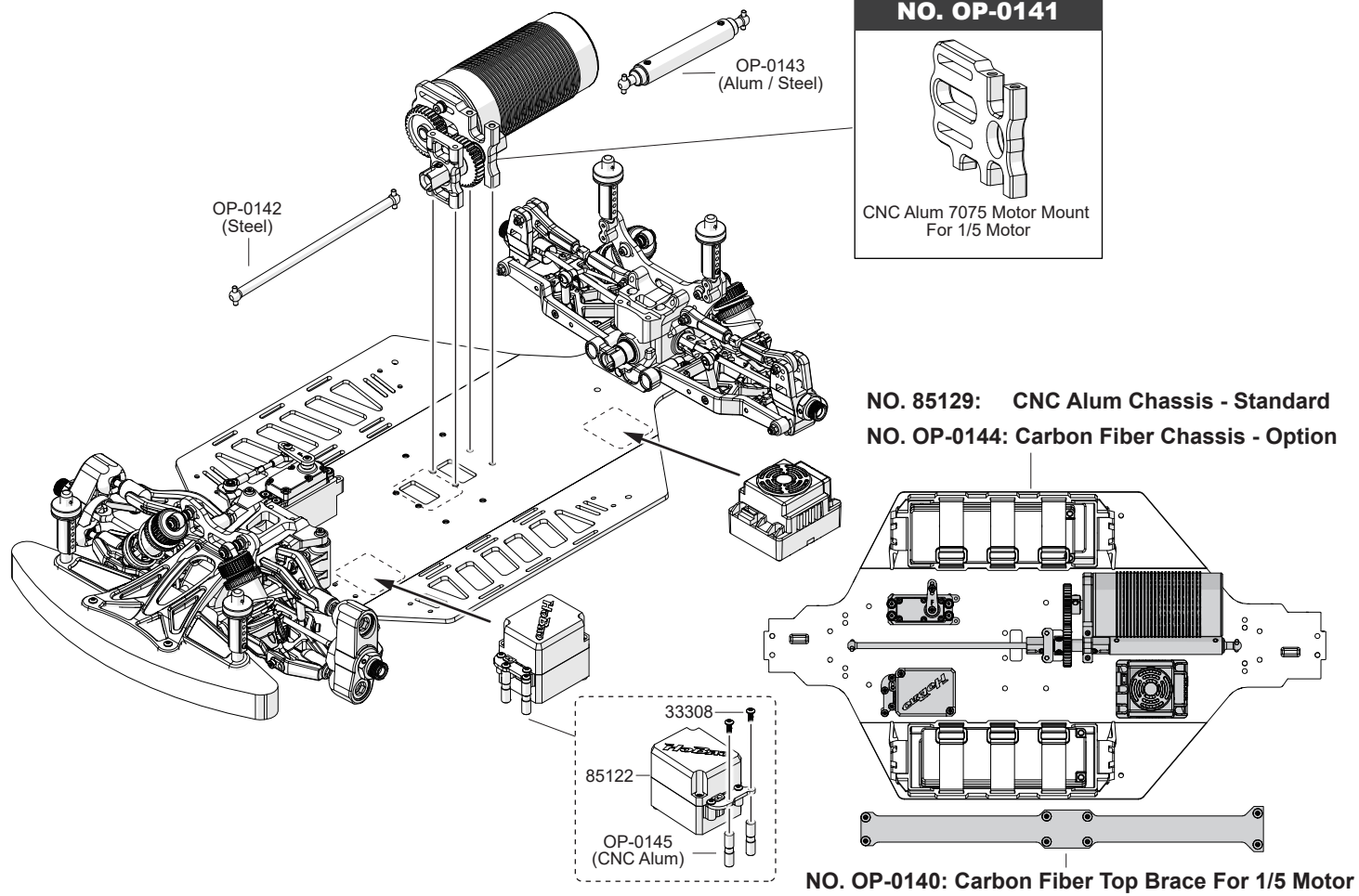
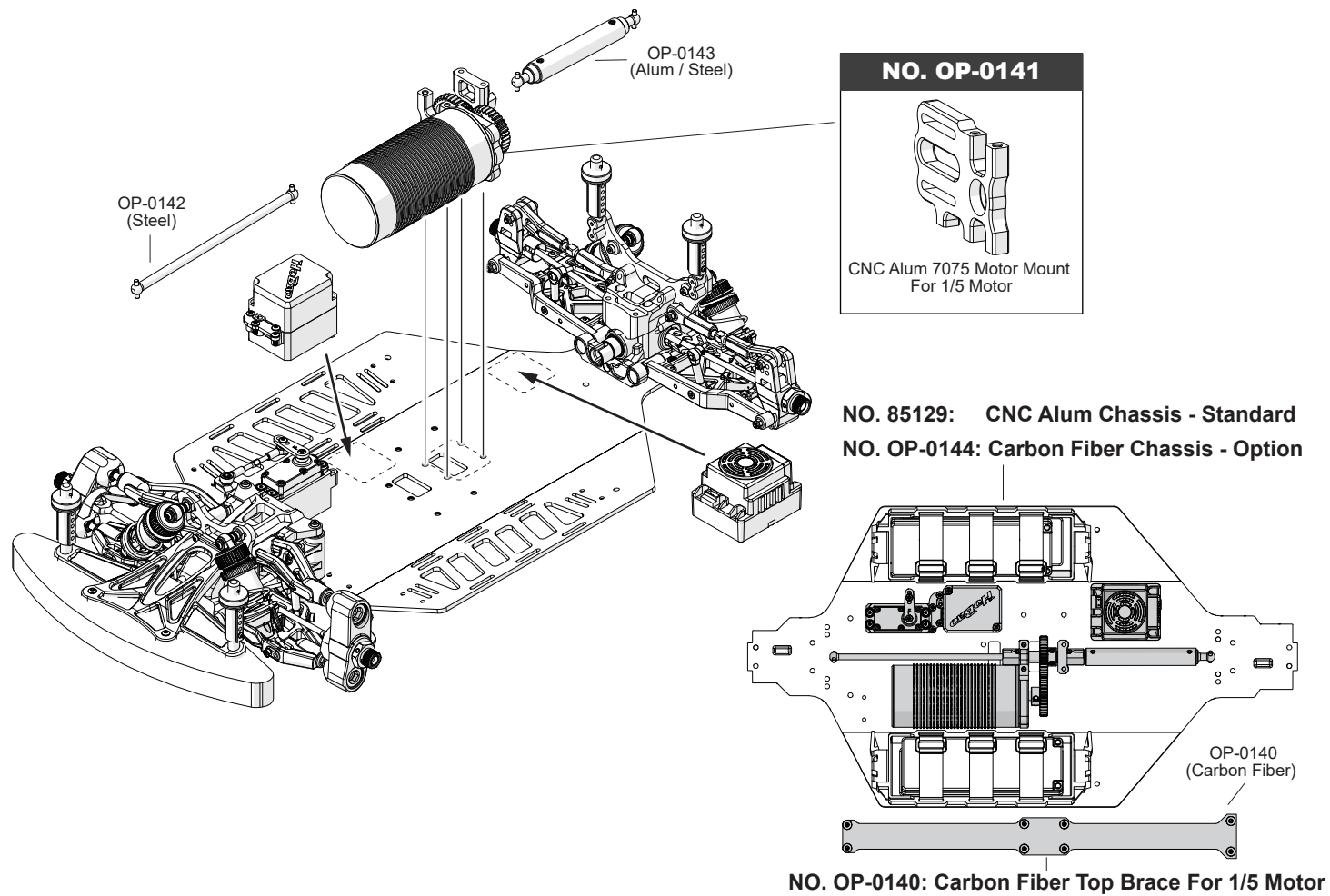


Weight Distribution Adjustment For 1/5 Motor OD 57mm

***** Motor Forward / Weight Distribution Forward**



***** Motor Backward / Weight Distribution Backward**



Extreme VTE 2

PARTS LIST

36101 5.8x1.9mm O-ring 10pcs	85031 CNC Alum 7075 Motor Mount For 1/5 Motor	85067 2.5x13.8mm Pin 2pcs	85091 6.8mm Alum 7075 4pcs	85116 CNC Alum 7075 Motor Mount For 1/5 Motor	85129 CNC Alum
39057 2.5x10.8mm Pin 2pcs	85034 M5x5 Set Screw 2pcs	85068 3x43mm Alum 7075 2pcs	85092 6.8mm Alum 7075 4pcs	85117 CNC Alum 7075 Motor Mount For 1/5 Motor	85130 CNC Alum
84062-1 10pcs	85034-1 2pcs	85069 2pcs Alum 7075 2pcs Alum 7075 2pcs M3x3 Set Screw 2pcs	85093 6.8mm Alum 7075 4pcs	85121 CNC Alum 7075 Motor Mount For 1/5 Motor	85131 Carbon Fiber
84076 8x16x5mm 4pcs	85035 2pcs	85070 2pcs Alum 7075 2pcs Alum 7075 2pcs M3x3 Set Screw 2pcs	85094 7.8mm Alum 7075 4pcs	85122 CNC Alum 7075 Motor Mount For 1/5 Motor	85132 6x114mm Dogbone
84078 6x10x3mm 4pcs	85036 2pcs 2pcs	85078 2pcs 4pcs	85110 5.8x1.9x2mm O-ring 2pcs M4x4 Set Screw	85123 CNC Alum 7075 Motor Mount For 1/5 Motor	85133 Alum/Steel 154mm Dogbone
85002 Rear 2pcs	85044 2pcs	85082 2pcs	85111 M3x15 4pcs 43T	85124 CNC Alum 7075 Motor Mount For 1/5 Motor	85136 2pcs
85011 4x43.5mm Pin 2pcs	85048 2pcs 2pcs 4pcs	85087 3x43mm Alum 7075 2pcs	85112 5.8mm Alum 7075 4pcs	85125 CNC Alum 7075 Motor Mount For 1/5 Motor	85137 2pcs
85022 2pcs 2pcs	85049 2pcs	85088 4x40mm Alum 7075 2pcs	85113 2pcs 2pcs	85126 2pcs 2pcs	85138 2pcs
85026 2pcs 2pcs 2pcs 2pcs	85050 2pcs	85089 5x50mm Alum 7075 2pcs	85114 CNC Alum 7075 2pcs 2pcs	85127 CNC Alum 7075 2pcs	85139 CNC Alum 7075 2pcs
85029 Φ3x2.5mm 4pcs	85051 4pcs	85090 6.8mm Alum 7075 4pcs	85115 2pcs	85128 CNC Alum 7075 2pcs	85140 2pcs

Extreme VTE 2

PARTS LIST

87005-2 6.1x13.9x0.15 Washer 6pcs	87375 6pcs	89312 6pcs 2pcs	90052 2pcs		
87021 M4x4 Set Screw 2pcs	87613 Antenna tube	89326 16T	90053 2pcs		
87027-1 2.5x16.8mm Pin 4pcs	88001 4pcs	89604 4pcs 4pcs 2pcs 6pcs	90071 2pcs 2pcs 2pcs		
87028 13T	88002 M4x47 Screw 4pcs	89635 M3x8 CNC ALUM	90079 2pcs		
87037 2pcs	88003-1 3.8x97 Dogbone 2pcs	90010 2pcs	90082 2pcs		
87044S 4pcs	88004 M3x50 2pcs	90028 2pcs	94115 2pcs		
87206 4x73mm Pin 4pcs	88013 4x2mm O-ring 10pcs	90036 5pcs 5pcs	94117 2pcs 2.5x10.8mm 2pcs 2pcs 6.1x13.9x0.15 Washer 2pcs 4pcs 4.1x8x0.1 Washer 4pcs		
87208 8pcs	88029 CNC ALUM	90047 4pcs	OP-0115 RF CNC ALUM		
87209 4pcs	88030 4pcs 4pcs	90048 4pcs	OP-0149 50 MM CNC Alum 7075 2pcs M3x15 2pcs		
87354 2pcs	88039 4pcs	90049 4pcs 4pcs 4pcs	OP-0151 50 MM CNC Alum 7075		

Extreme VTE 2

PARTS LIST

OPTIONAL PARTS					
OP-0009 2pcs	OP-0144 Carbon Fiber	OP-0156 CNC Alum 7075			
OP-0110 2.3mm 2.8mm 3.0mm	OP-0145 2pcs	OP-0157 CNC Alum 7075			
OP-0116 RR CNC ALUM	OP-0146 40T	OP-0158 Brass Weight - 160g			
OP-0117 CNC ALUM RR 0.5	OP-0147 15T	OP-0159 5.3mm 2pcs			
OP-0118 CNC ALUM RR 0.75	OP-0148 CNC ALUM CASE M3x8mm Screw 4pcs 2pcs	OP-0161 5x97 Dogbone 2pcs			
OP-0139 2pcs 2.5x10.8mm 2pcs 2pcs 6.1x13.9x0.15 Washer 2pcs 4pcs 4.1x8x0.1 Washer 4pcs	OP-0150 57 MM CNC Alum 7075 2pcs M3x15 2pcs	89147 CNC ALUM			
OP-0140 Carbon Fiber For 1/5 Motor	OP-0152 57 MM CNC Alum 7075	94018 2pcs M5x4 Set Screw 2pcs 2.5x16.8mm 2pcs			
OP-0141 CNC Alum 7075 For 1/5 Motor	OP-0153 CNC Alum 7075	94071 2pcs 3x15.8mm 2pcs			
OP-0142 6x149mm Dogbone	OP-0154 M4x12mm Screw 2pcs M4x14mm Screw 4pcs M3x10mm Screw 13pcs CNC Alum 7075	36811 CNC Alum 3mm Washer 10pcs			
OP-0143 Alum/Steel 119mm Dogbone	OP-0155 CNC Alum 7075				